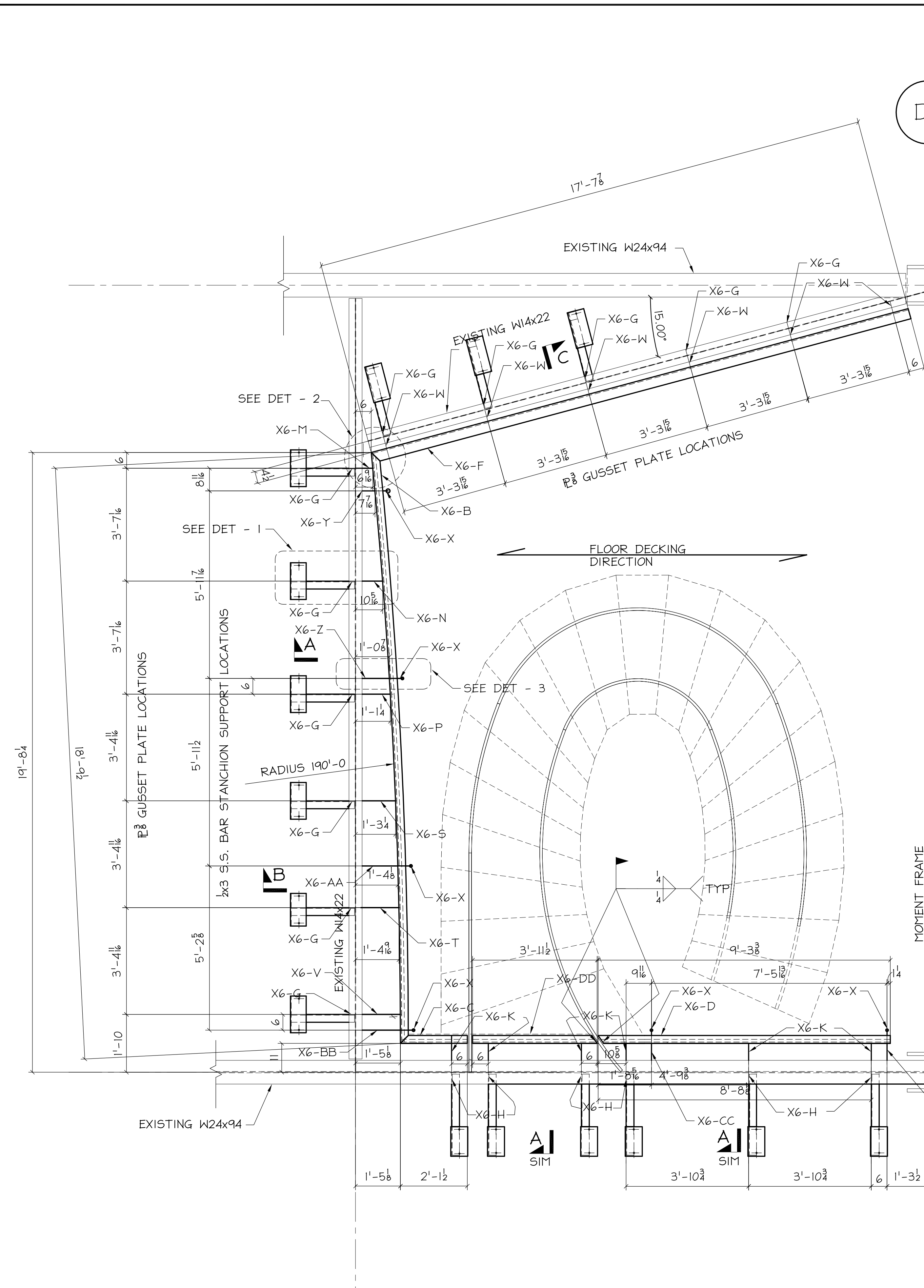
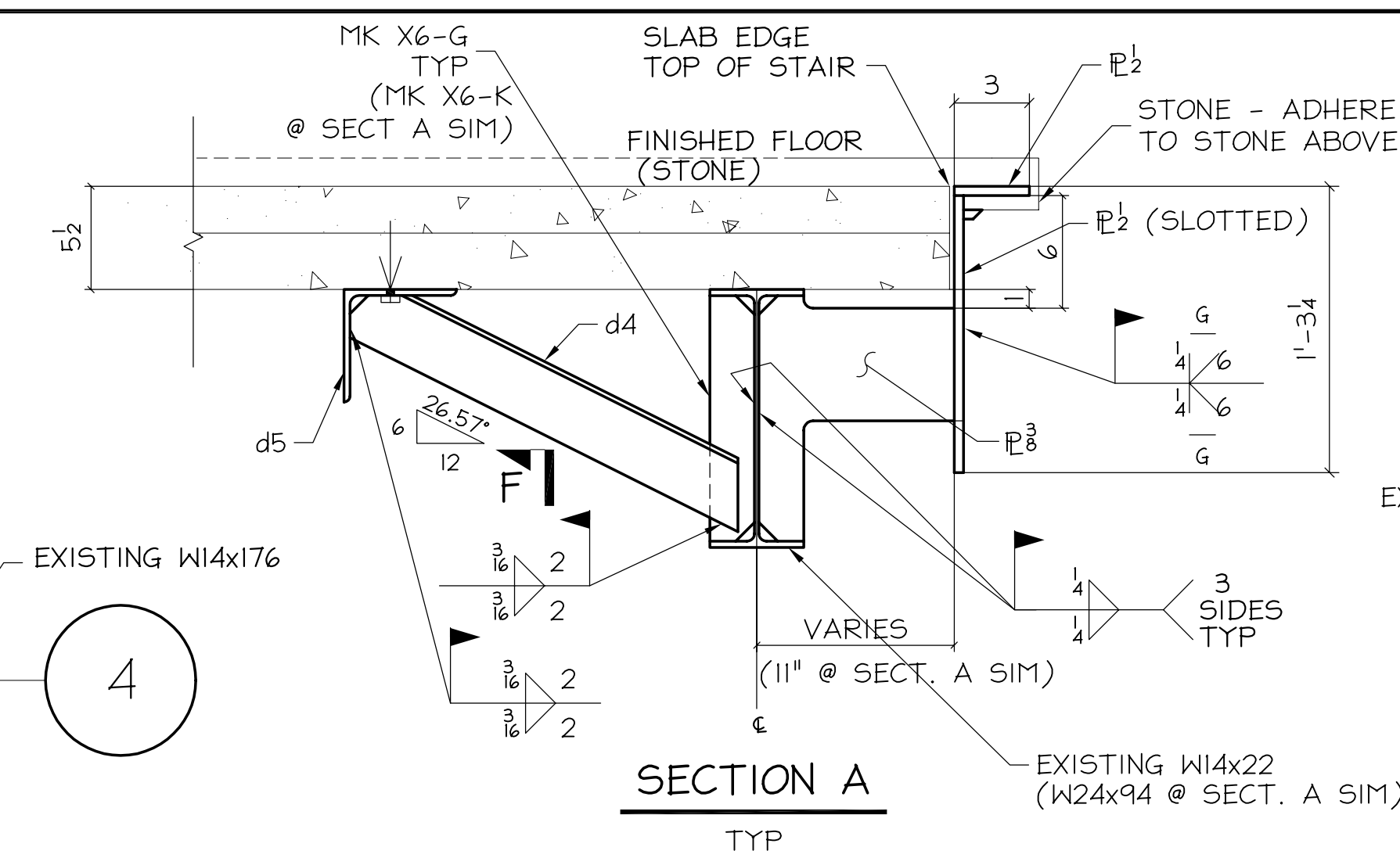


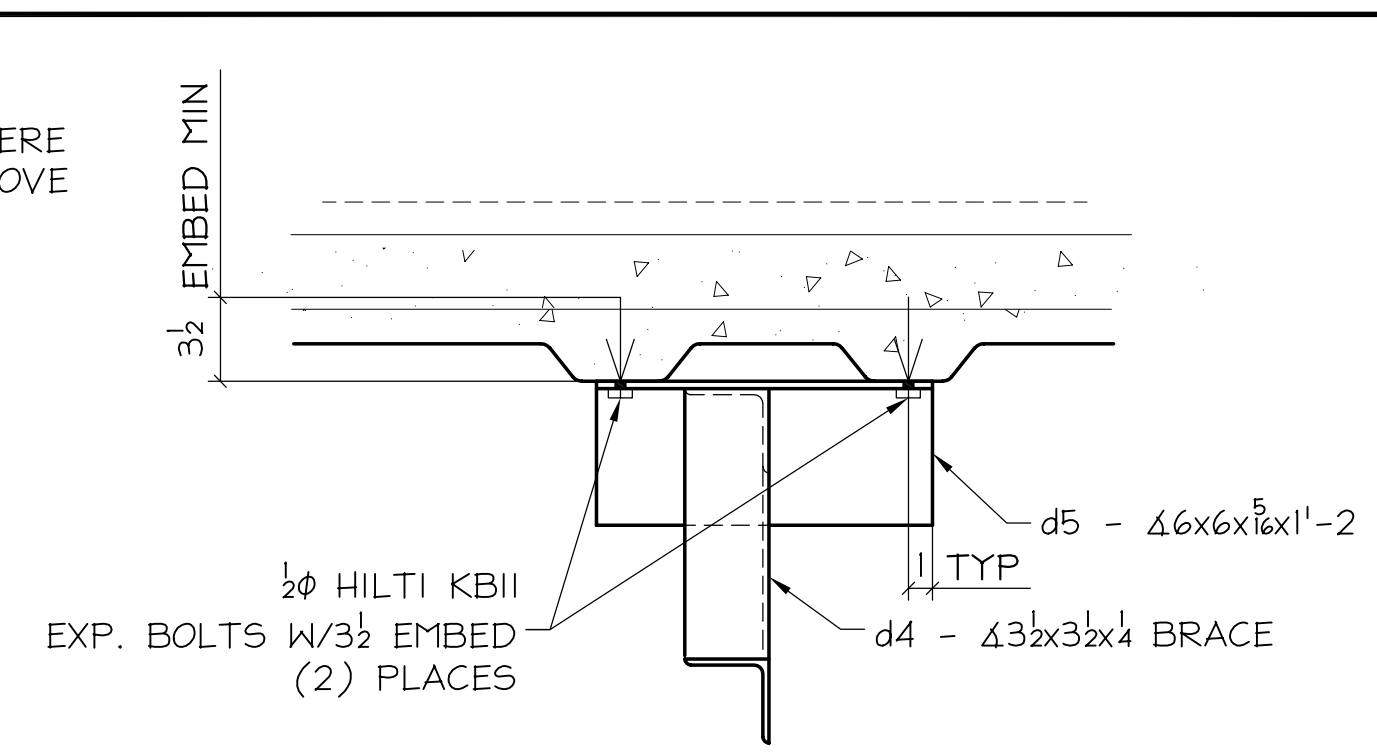
email: info@angleDetailing.com



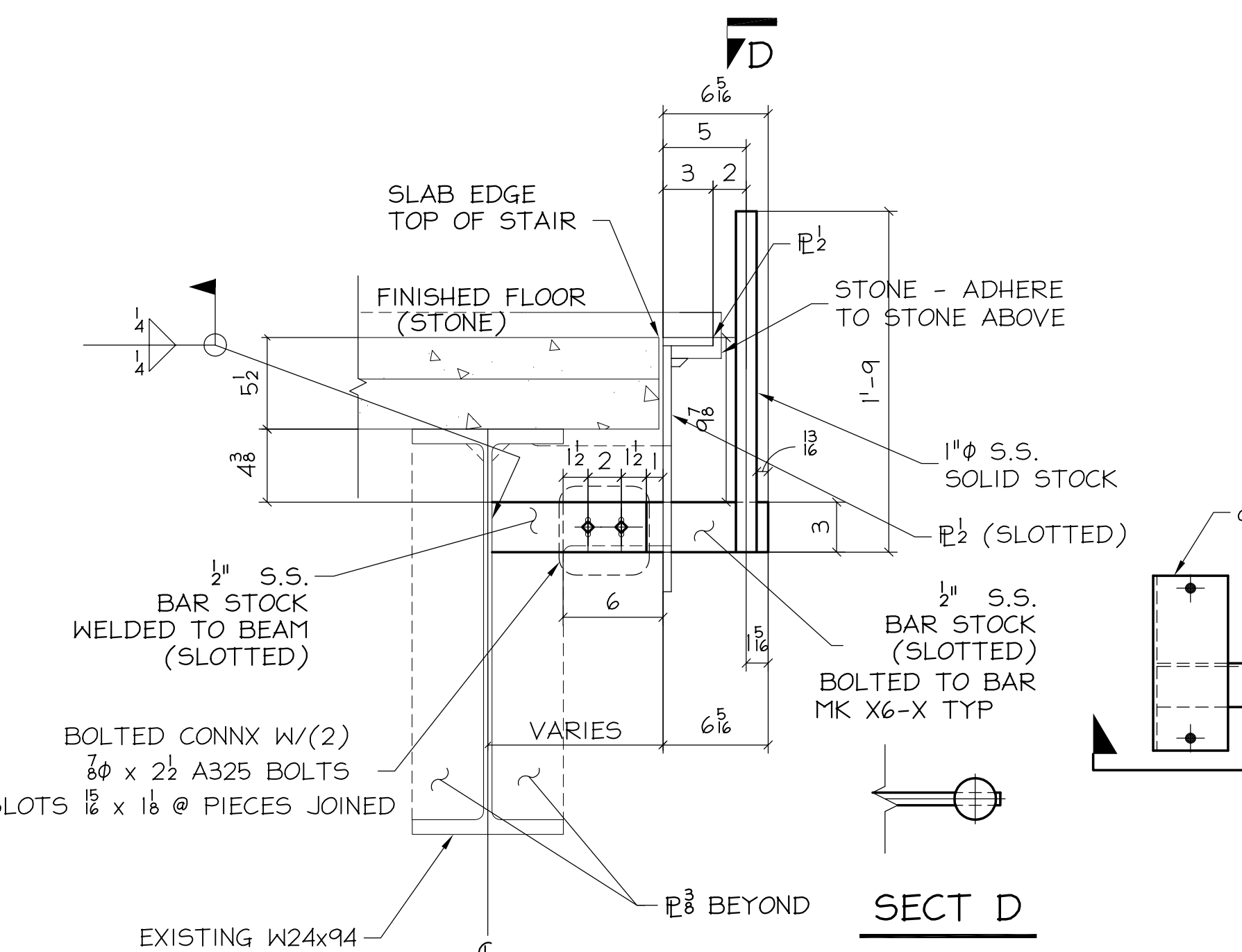
LEVEL 20 STAIR PERIMETER
DIMENSIONS TO CENTERLINES



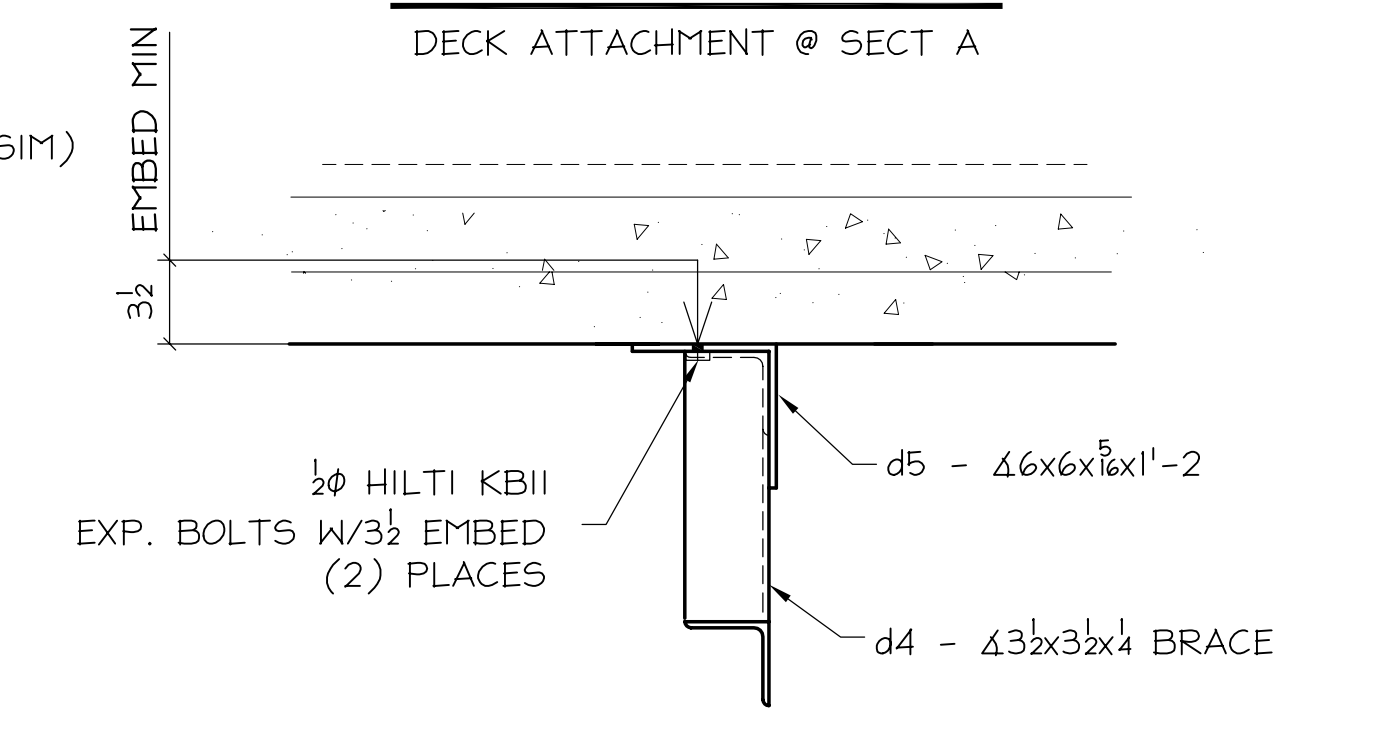
SECTION A
TYP



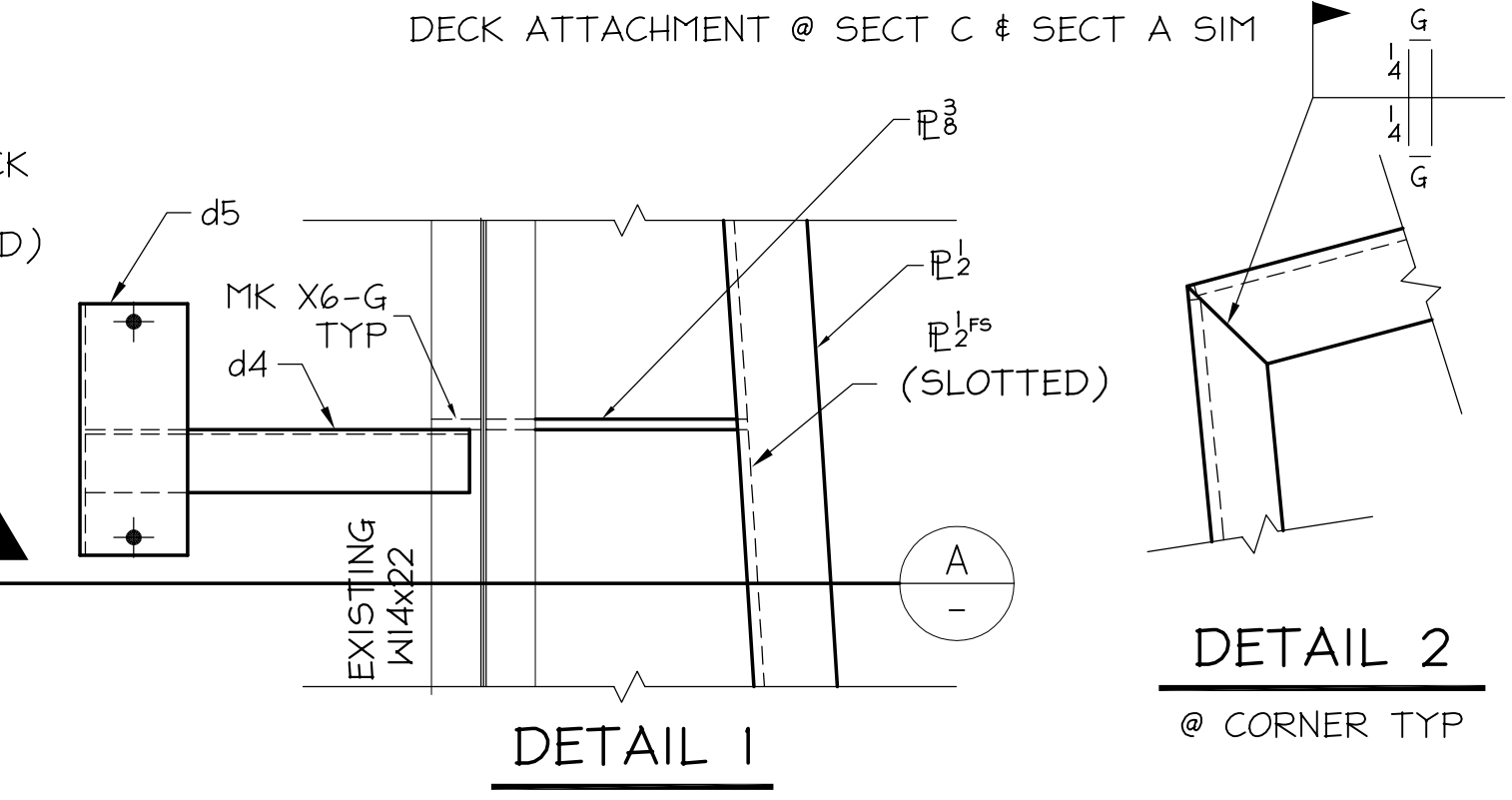
SECTION F
DECK ATTACHMENT @ SECT A



SECTION B
GUARDRAIL SUPPORT

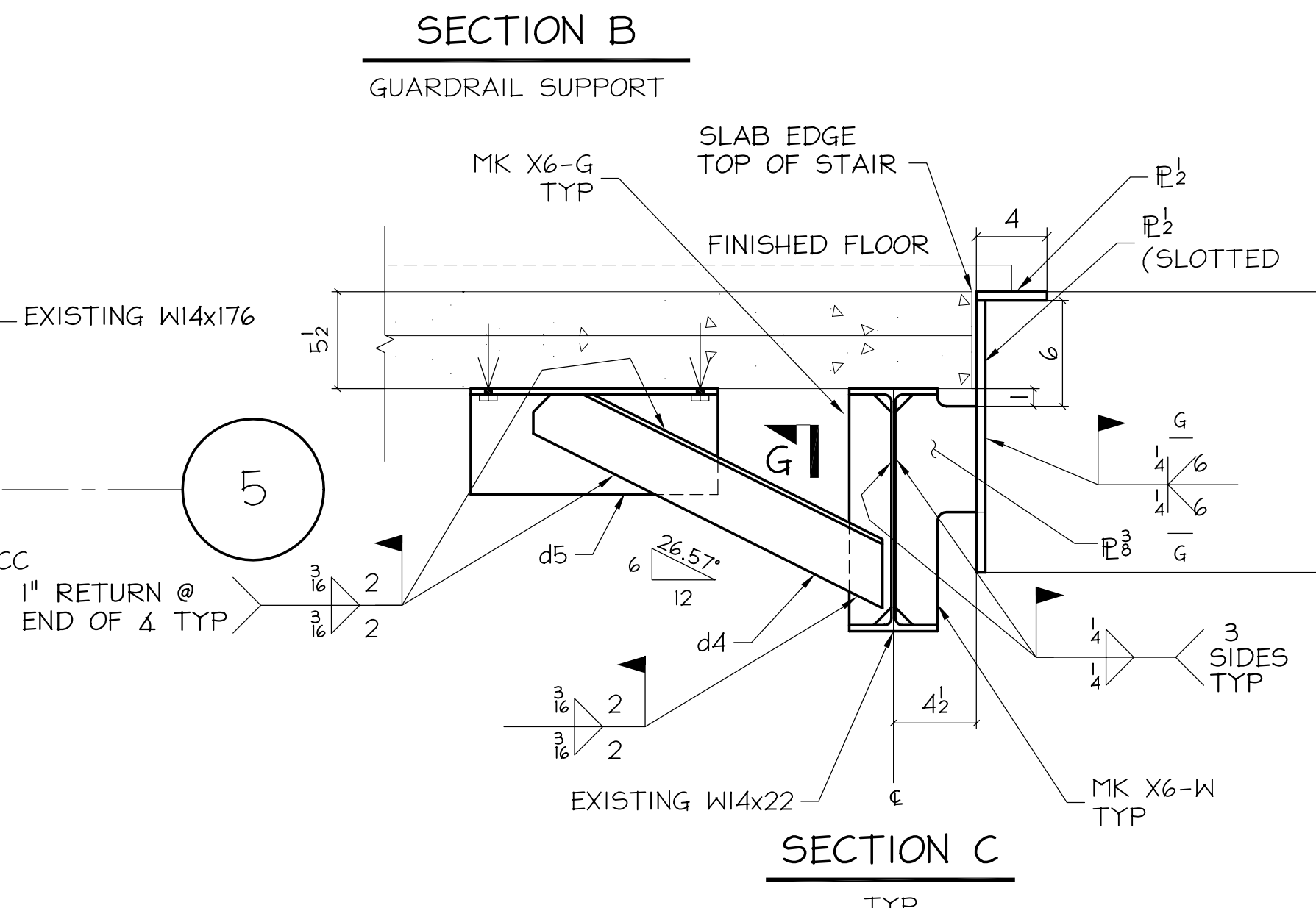


SECTION G
DECK ATTACHMENT @ SECT C & SECT A SIM

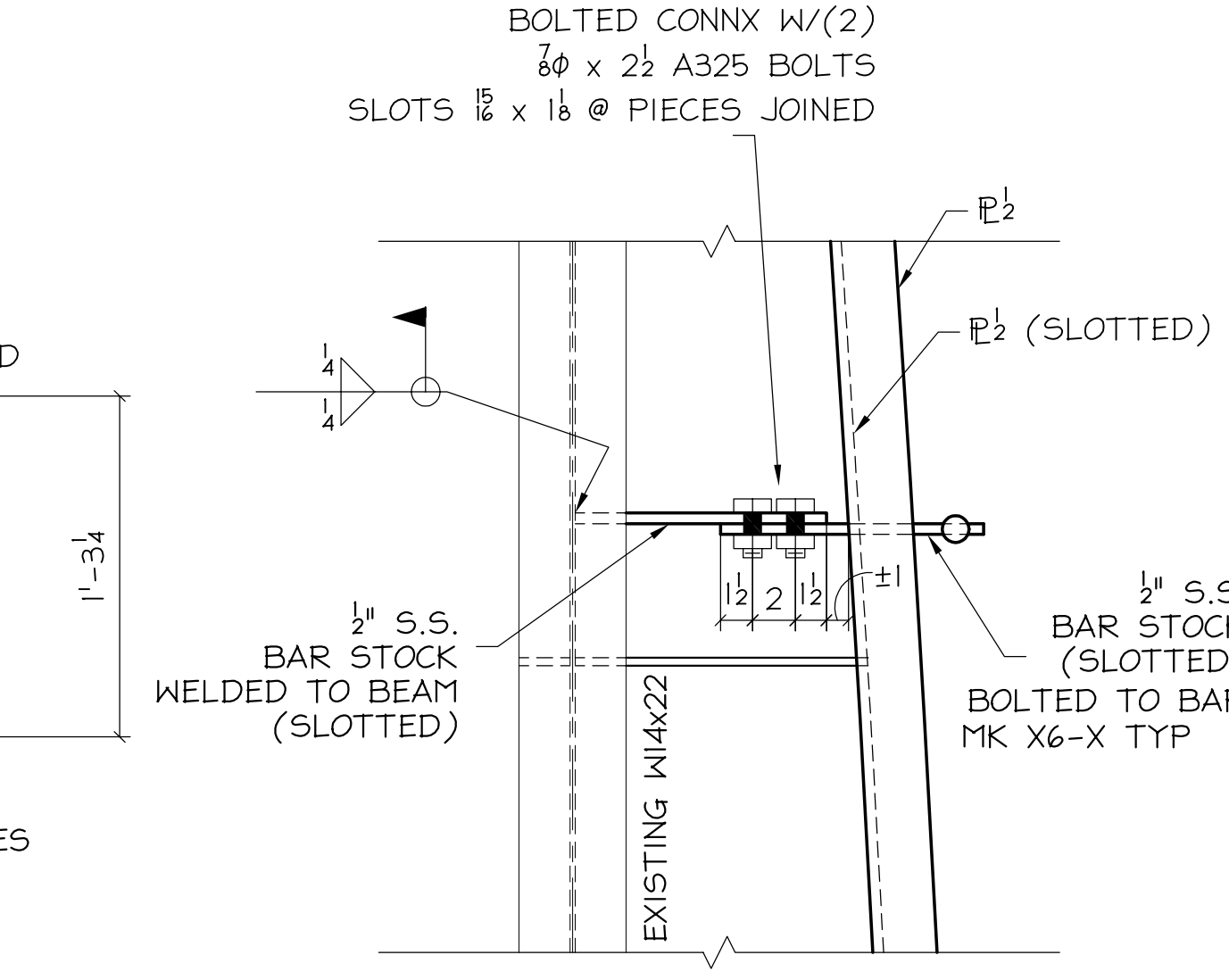


DETAIL 1

DETAIL 2
@ CORNER TYP



SECTION C
TYP



DETAIL 3
BOLTED CONNX

VERIFICATION OF DIMENSIONS, DETAILS, AND ETC. ARE REQUESTED WHERE INDICATED. IF EACH VERIFICATION IS NOT NOTED OTHERWISE, IT WILL BE ASSUMED TO BE CORRECT AS SHOWN

REV	DATE	BY	DESCRIPTION	DWG STATUS	DATE
1	6/27/01	BB	ISSUE FOR FABRICATION		
A	6/16/00	BB	FOR APPL/FAB READY		

STAIR
FOX TOWER
PORTLAND, OREGON

ENGR: SWMB
CONTR: HOFFMAN

ADI / ANGLE DETAILING, INC.
ADI JOB# 2000-015

COLUMBIA WIRE & IRON WORKS
5555 N. Channel Portland, Ore. 97217
www.cwiil.com/503-286-6600

DRAWN BY: PJR
CHK'D BY: BB
JOB NO: 15-046001
DWG. NO: X6-A

C:\NEW_WEB_PAGE\FOX-TOWER-STAIR\STAIR\X6-A.DWG 11/20/01 9:38am SOLARIS melissa